

## Workstation Benching Dividers – Full Height

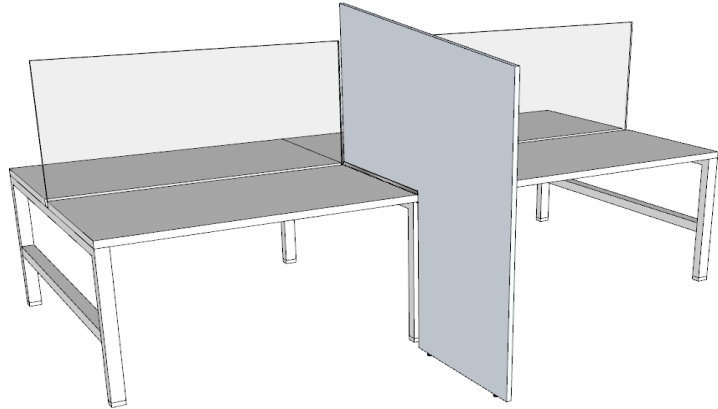
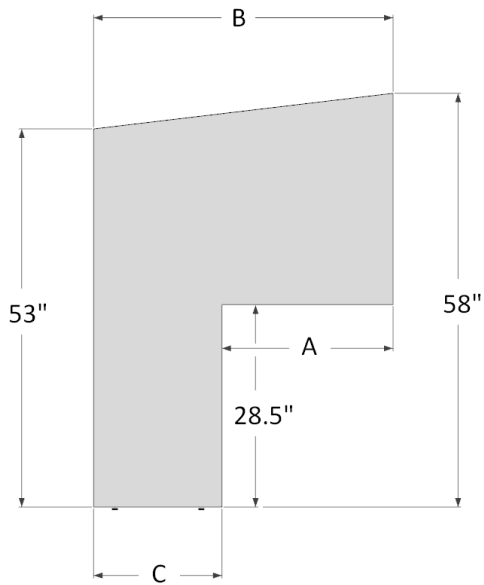


Show your staff that they are important to the company and can easily make the transition back into their workplace a safe and comfortable one. Provide them with our protective dividers that will give them a sense of health, safety and welfare when coming back to their office environment.

Our dividers will function with any standard benching or desking system and each takes only a few minutes to install. Because they are offered in any major high-pressure laminate, they are easy to wipe clean and sanitize to help maintain a germ-free space.

They are Class A, furniture grade quality, come in various sizes and have a 5-year limited manufacturing warranty. They are manufactured in Houston, TX and available within a short lead-time. Special sizes and configurations welcome.

# Workstation Benching Dividers – Full Height



## For 24" Deep Worksurfaces

| Laminate Divider<br>Slanting Top | Item #    | Description   | Dimensions |    |    |
|----------------------------------|-----------|---|------------|----|----|
|                                  |           |   | A          | B  | C  |
|                                  | BD-2436-L | Divider Panel Mounts to Worktop and Sits on Floor<br>Glides .75" Thick HPL w/ High-Density Core | 24         | 36 | 12 |
|                                  | BD-2442-L | Divider Panel Mounts to Worktop and Sits on Floor<br>Glides .75" Thick HPL w/ High-Density Core | 24         | 42 | 18 |
|                                  | BD-2448-L | Divider Panel Mounts to Worktop and Sits on Floor<br>Glides .75" Thick HPL w/ High-Density Core | 24         | 48 | 24 |

## For 30" Deep Worksurfaces

| Laminate Divider<br>Slanting Top | Item #    | Description   | Dimensions |    |    |
|----------------------------------|-----------|---|------------|----|----|
|                                  |           |   | A          | B  | C  |
|                                  | BD-3042-L | Divider Panel Mounts to Worktop and Sits on Floor<br>Glides .75" Thick HPL w/ High-Density Core | 30         | 42 | 12 |
|                                  | BD-3048-L | Divider Panel Mounts to Worktop and Sits on Floor<br>Glides .75" Thick HPL w/ High-Density Core | 30         | 48 | 18 |

### NOTES:

- High-pressure laminate is easy to wipe clean and sanitize to help maintain a germ-free space.
- Panel has adjustment for standard worksurface heights
- All attaching hardware included