

PTI *High-End Millwork
Office Furniture*

"Your Custom Solutions People"

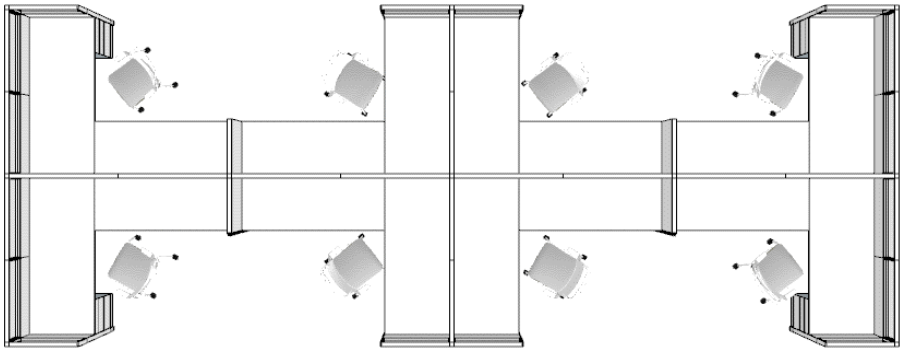
TOTAL SOLUTIONS FOR YOUR

CLIENT'S WORKPLACE

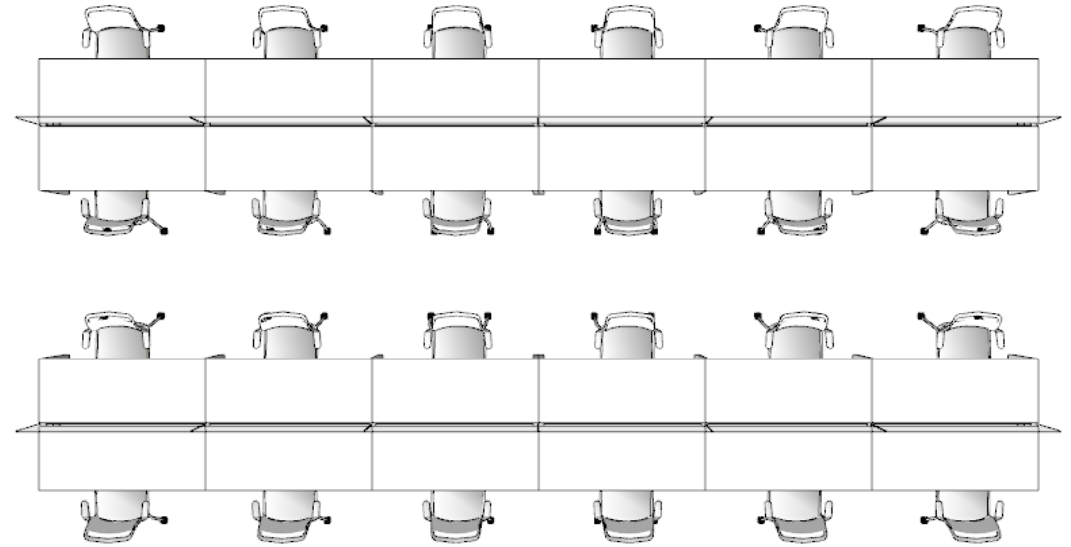
If you have Clients with employees that might feel anxious & uncertain about their Office Environment, see if you have any of these typical office spaces that might need some rethinking. Or if you client needs a custom solution – send it to us to create.

We have a **Complete line of standard products and custom solutions** with great lead times!

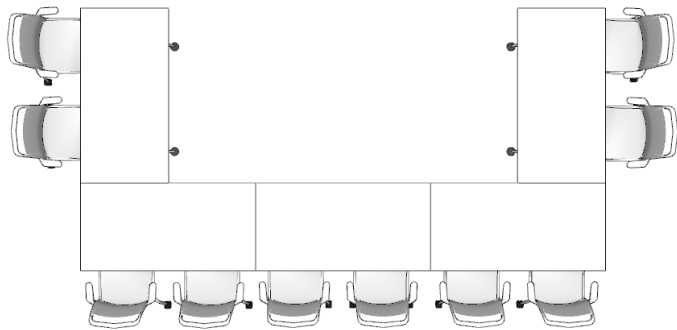
Workstation Cubicles



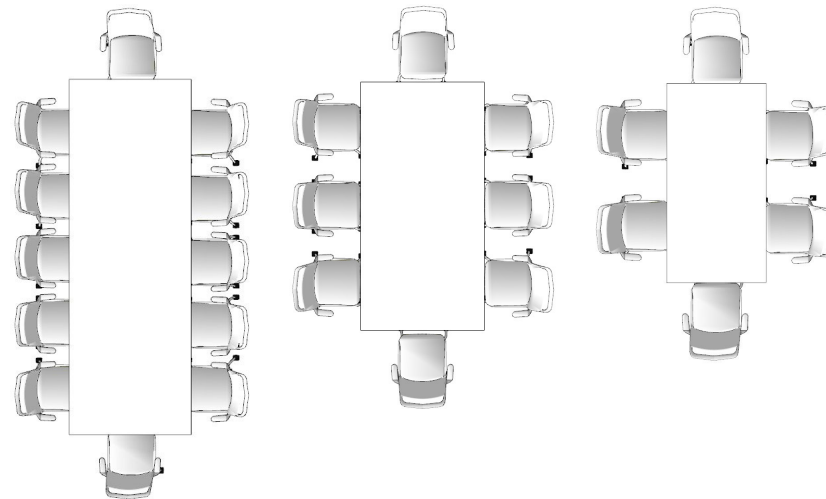
Benching Workstations



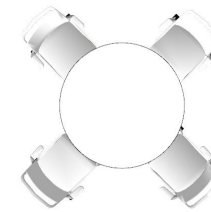
Training Rooms



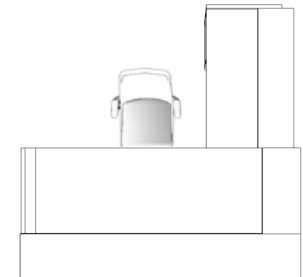
Conference Rooms

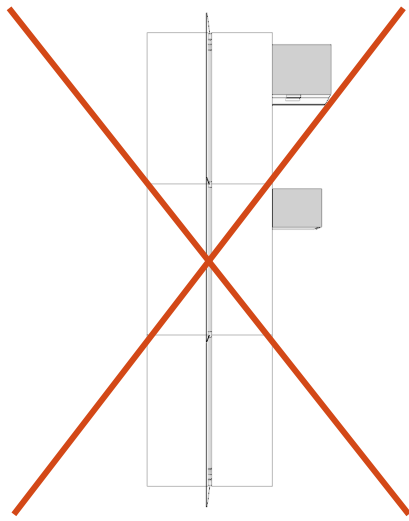


Huddle Rooms



Reception Areas





Before

After



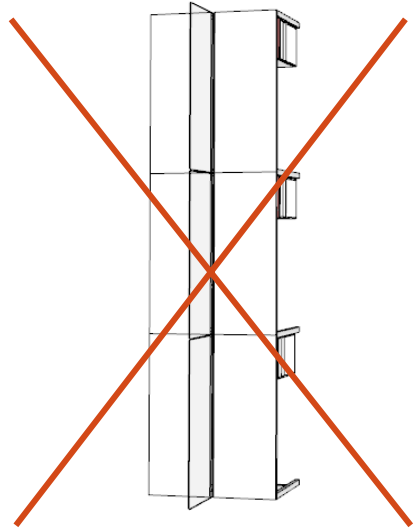
Divider sizes 53" High, for 24" & 30" Deep Worksurfaces

Our dividers will function with any standard benching or desking system and each takes only a few minutes to install. Because they are offered in any major high-pressure laminate, they are easy to wipe clean and sanitize to help maintain a germ-free space.

We offer center panels with an opening under the worksurface and full panels for the end of stations runs. Our dividers comes complete with all attaching hardware and can be ordered in a Dry Erase Laminate. Available in various heights and widths to match your existing stations – Custom Sizes Available.

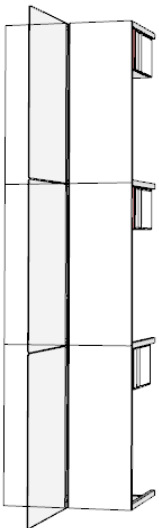
Dividers DO NOT deface any existing visual components.





Before

After



Divider sizes 30" high, for 60", 66" & 72" wide worksurfaces

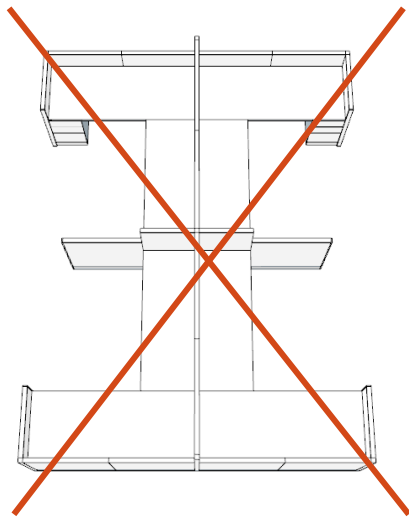
Adding an acrylic panel divider is a proactive way to further protect your employees and customers in work areas. Our dividers ship flat for instant assembly with existing hardware. They can be used on any benching workstation with securely attached hardware and are easy to clean.

Available in various heights and widths to match your existing stations and custom sizes are available.

Dividers DO NOT deface any existing visual components.

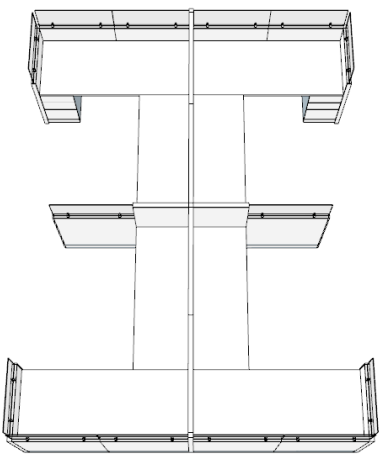
30" High

Screens Only - Various
Hardware Options Available



Before

After



Divider sizes 14" high, for 24", 30", 36", 42" & 48" wide panels

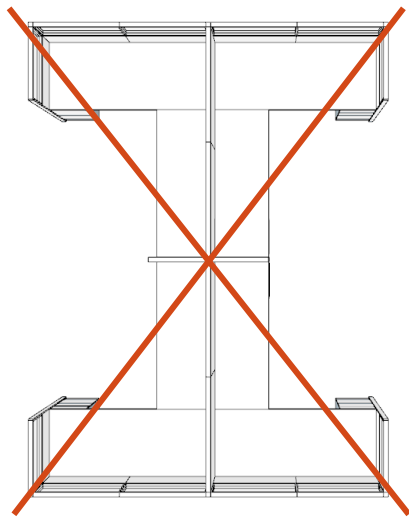
Adding an acrylic panel divider is a proactive way to further protect your employees and customers in work areas. Our dividers ship flat for instant assembly with hardware provided. They can be used on any workstation with securely attached top caps and are easy to clean.

Available in various heights and widths to match your existing stations and custom sizes are available.



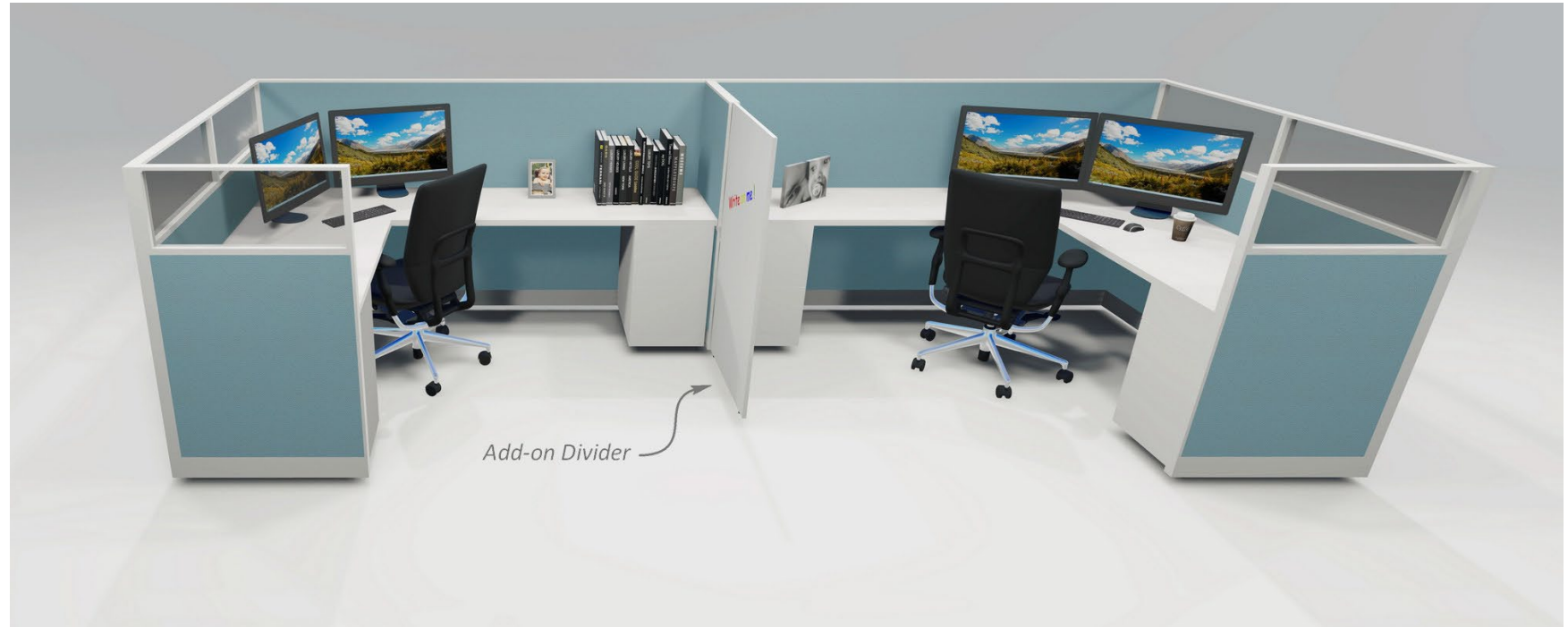
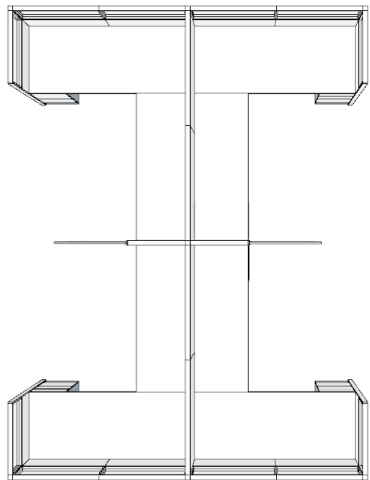
An Example of Hardware Options Available





Before

After



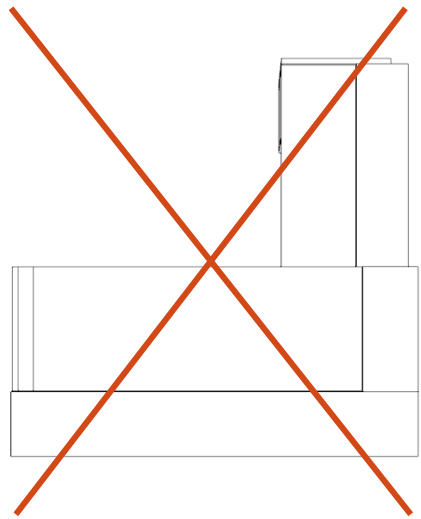
Divider sizes 53" high to 64" high, 24" & 36" wide

Our dividers will function with any standard workstation manufacturer's system and each takes only a few minutes to install. Because they are offered in any major high-pressure laminate, they are easy to wipe clean and sanitize to help maintain a germ-free space.

The cost of our divider is typically less than adding a full cubicle panel or reconfiguring the entire workstation. Our divider comes complete with all attaching hardware and can be ordered in a Dry Erase Laminate. Available in various heights and widths to match your existing stations – Custom Sizes Available.

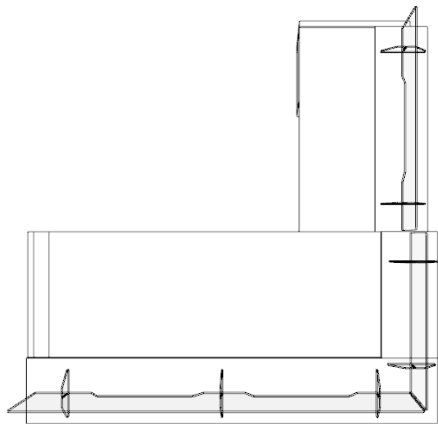
Dividers DO NOT deface any existing visual components.





Before

After



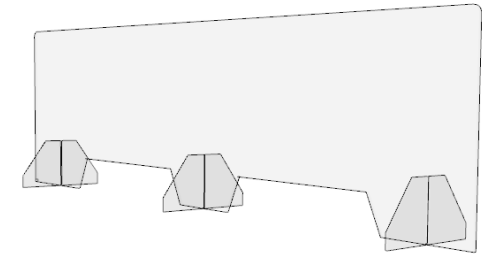
Divider sizes 14" high, for 30", 36", 48", 60" & 72" wide

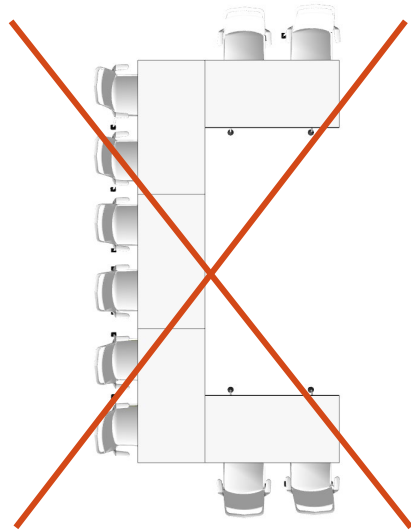
Adding a portable acrylic table divider is a proactive way to further protect your employees and customers in break rooms, cafeterias, restaurants, commons, and other public areas. Our portable dividers ship flat and slide together for instant assembly with no hardware required. They can be used on any desk or worksurface, are easy to clean and portable.

Available in various heights and widths to match your existing reception desks and stations, custom sizes are available.

Dividers DO NOT deface any existing visual components.

- Assembles in Seconds, Slides Together
- Custom Sizes Available
- Lightweight and Portable
- Easy to Clean and Disinfect

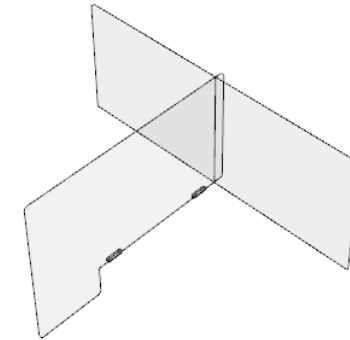




Before



- Assembles in Seconds, Slides Together
- Custom Sizes Available
- Lightweight and Portable
- Easy to Clean and Disinfect



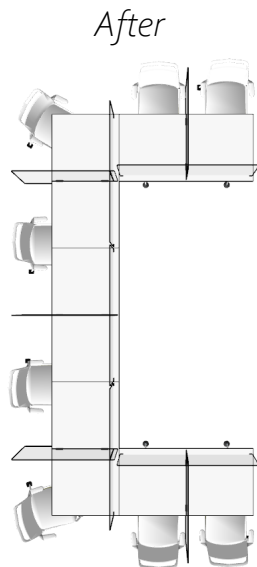
Reduction of only 2-seats and this solution requires NO new furniture.

Table sizes 60x24, 60x30, 72x24, 72x30

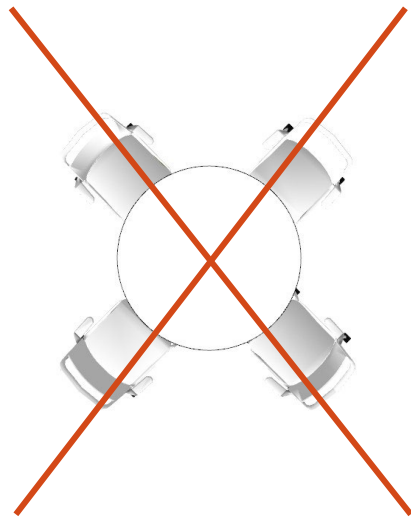
Adding a portable acrylic table divider is a proactive way to further protect your employees and customers in break rooms, cafeterias, restaurants, commons, and other public areas. Our portable table dividers ship flat and slide together for instant assembly with no hardware required. They can be used on any countertop or worksurface, are easy to clean, and portable.

Available in various heights and widths to match your existing tables and custom sizes are available.

Dividers DO NOT deface any existing visual components.

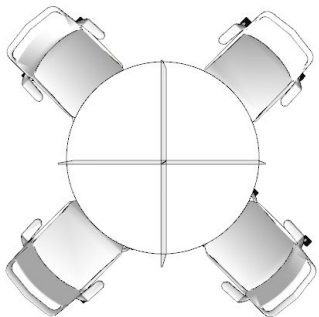


After



Before

After



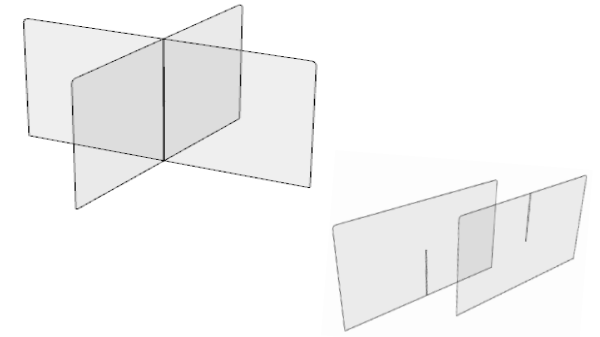
Round table sizes 42", 48" & 60"

Adding a portable acrylic table divider is a proactive way to further protect your employees and customers in break rooms, cafeterias, restaurants, commons, and other public areas. Our portable table dividers ship flat and slide together for instant assembly with no hardware required. They can be used on any countertop, are easy to clean, and portable.

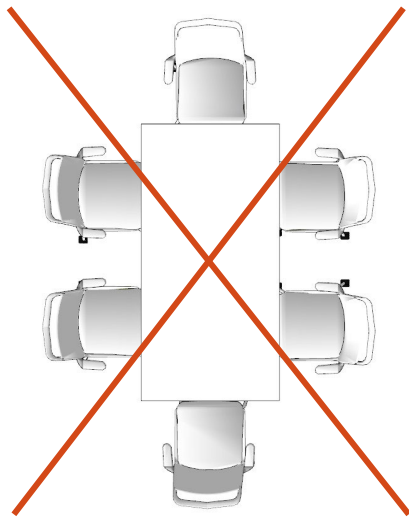
Available in various heights and widths to match your existing tables and custom sizes available.

Dividers DO NOT deface any existing visual components.

- Assembles in Seconds, Slides Together
- Custom Sizes Available
- Lightweight and Portable
- Easy to Clean and Disinfect



Reduction of zero seats and this solution requires NO new furniture.



Before

After

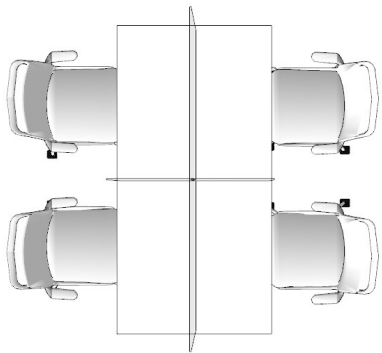


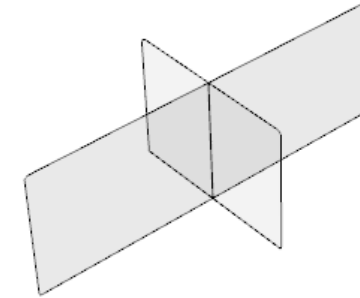
Table sizes 72x36, 72x42

Adding a portable acrylic table divider is a proactive way to further protect your employees and customers in break rooms, cafeterias, restaurants, commons, and other public areas. Our portable table dividers ship flat and slide together for instant assembly with no hardware required. They can be used on any countertop, are easy to clean, and portable.

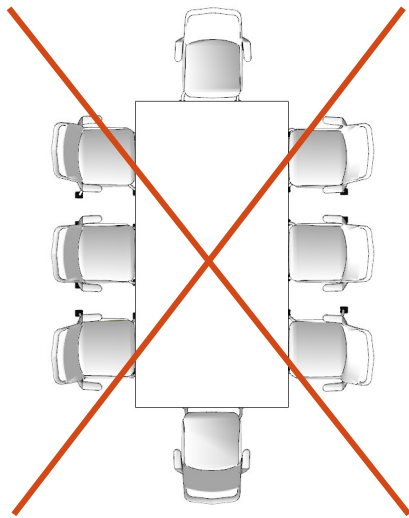
Available in various heights and widths to match your existing tables and custom sizes available.

Dividers DO NOT deface any existing visual components.

- Assembles in Seconds, Slides Together
- Custom Sizes Available
- Lightweight and Portable
- Easy to Clean and Disinfect



Reduction of only 2-seats and this solution requires NO new furniture.



Before

After

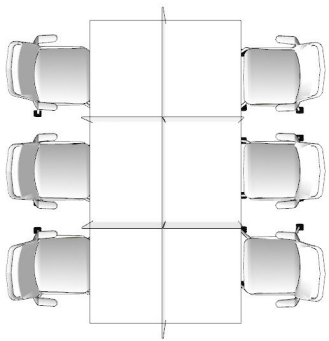


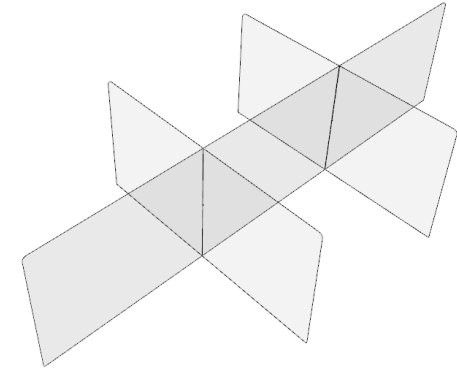
Table size 96x48, 120x48 and 192x48, 192x54, 192x60

Adding a portable acrylic table divider is a proactive way to further protect your employees and customers in break rooms, cafeterias, restaurants, commons, and other public areas. Our portable table dividers ship flat and slide together for instant assembly with no hardware required. They can be used on any countertop, are easy to clean, and portable.

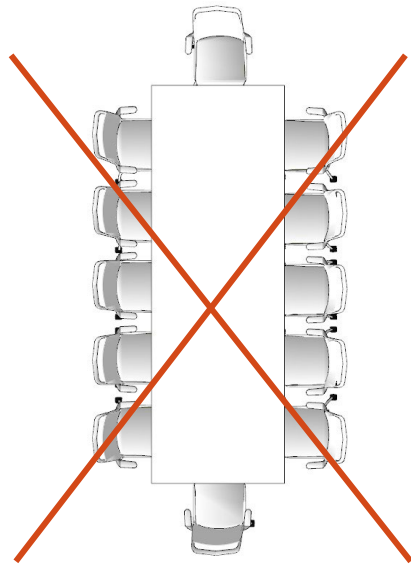
Available in various heights and widths to match your existing tables and custom sizes available.

Dividers DO NOT deface any existing visual components.

- Assembles in Seconds, Slides Together
- Custom Sizes Available
- Lightweight and Portable
- Easy to Clean and Disinfect



Reduction of only 2-seats and this solution requires NO new furniture.



Before

After

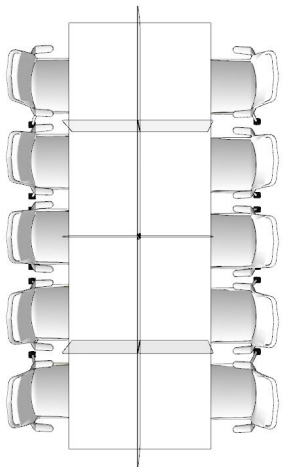


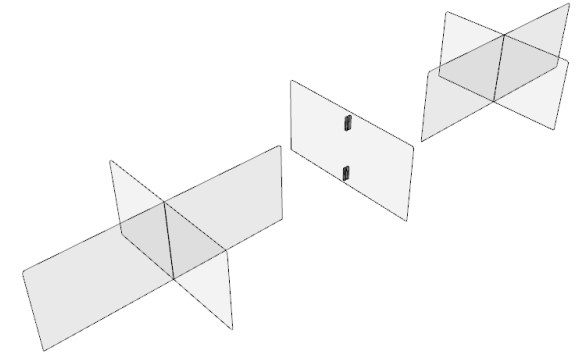
Table sizes 144x48, 144x54, 144x60, 168x48, 168x54, 168x60

Adding a portable acrylic table divider is a proactive way to further protect your employees and customers in break rooms, cafeterias, restaurants, commons, and other public areas. Our portable table dividers ship flat and slide together for instant assembly with no hardware required. They can be used on any countertop, are easy to clean, and portable.

Available in various heights and widths to match your existing tables and custom sizes available.

Dividers DO NOT deface any existing visual components.

- Assembles in Seconds, Slides Together
- Custom Sizes Available
- Lightweight and Portable
- Easy to Clean and Disinfect



Reduction of only 2-seats and this solution requires NO new furniture.



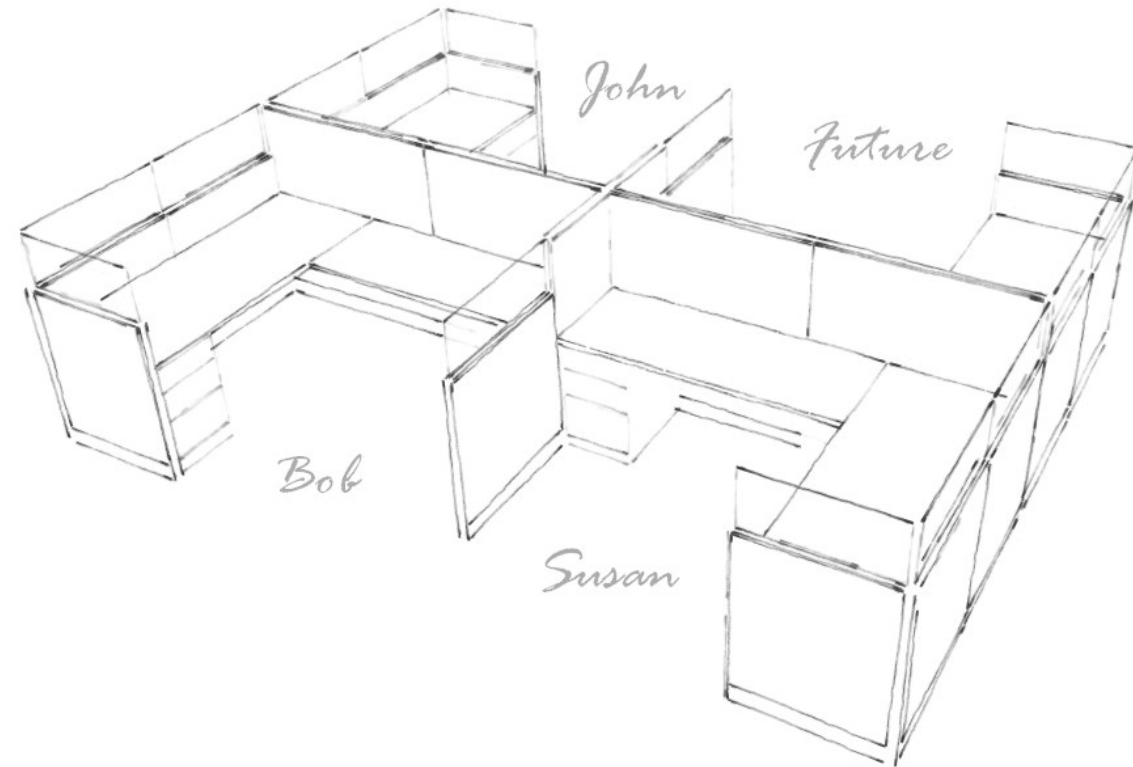
Before

After

Our Solution

We know that each of you may have a unique circumstance that needs to be addressed in this Brave New World. We have a full-time product development person to assist - there is not much we have not seen in 30 years.

We can create a custom product at a reasonable price & lead-time, call or email us!



PTI *High-End Millwork
Office Furniture*

“Your Custom Solutions People”

“Your Custom Solutions People”

Sales & Customer Service -
ptimillwork@gmail.com

Panel Tech Inc.
7800 Breen Rd.
Houston Texas 77064

Phone: 713-896-6900
Fax: 713-896-6949